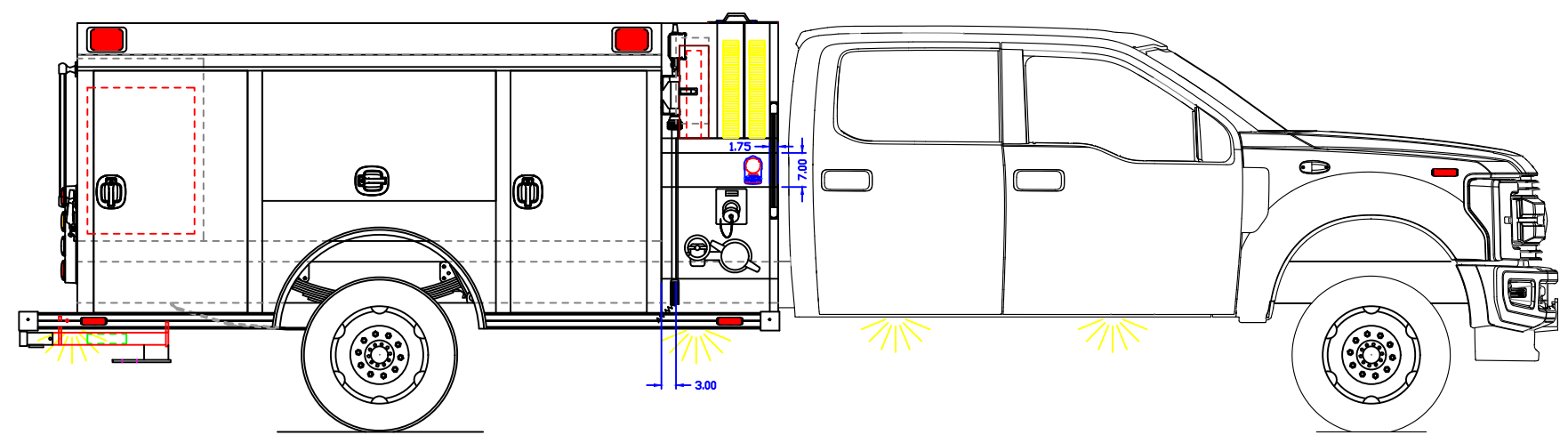
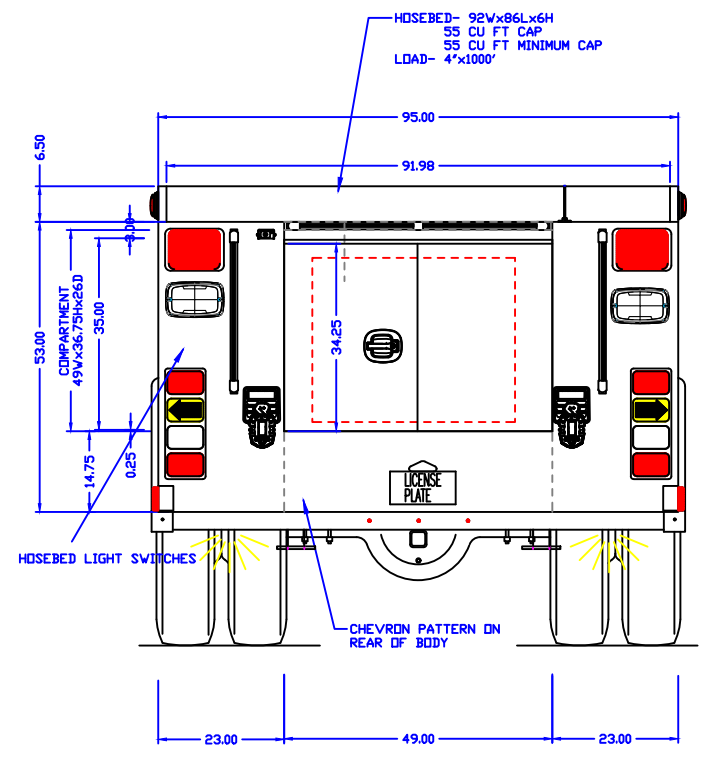
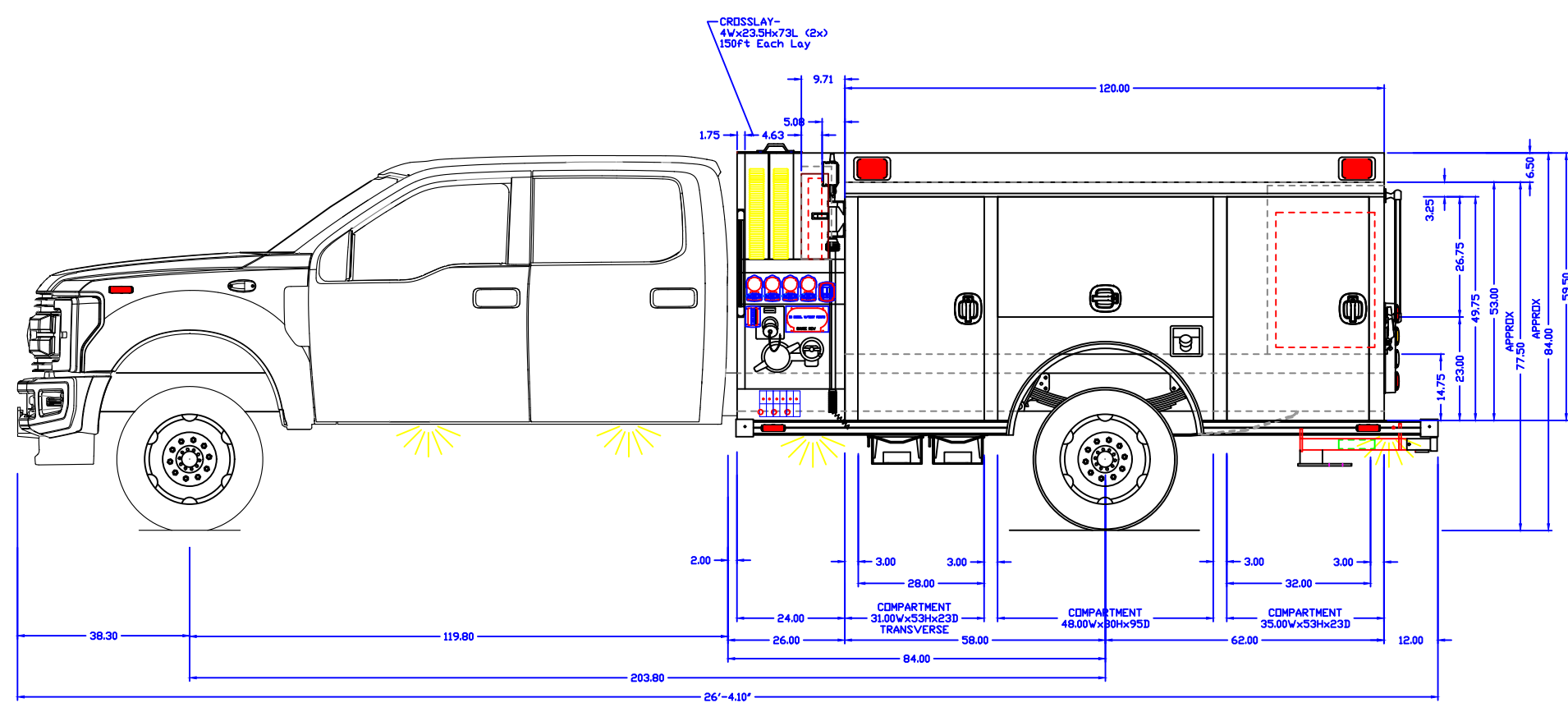


- NOTES:
1. OVERALL HEIGHT IS IN LOADED CONDITION. UNLOADED HEIGHTS MAY BE 4" ABOVE HEIGHTS SHOWN.
 2. DO NOT SCALE DRAWING.
 3. ALL DIMENSIONS ARE APPROXIMATE AND SUBJECT TO ENGINEERING CHANGES.
 4. DRAWING MAY OR MAY NOT SHOW ALL ITEMS AS DESCRIBED IN THE WRITTEN DETAIL SPECIFICATIONS.
 5. INCLUSION OF AN ITEM ON THE DRAWING DOES NOT CONSTITUTE INCLUSION OF THAT ITEM WITH THE FINAL DELIVERED UNIT.
 6. THE EFFECTIVE DOOR OPENINGS WILL BE APPROX. 2" LESS THAN THE NOTED COMPARTMENT OPENING FOR ROLL UP DOORS AND UP TO APPROX. 4" LESS FOR HINGED DOORS



INITIALS: EH
 JOB NUMBER: 31026-33
 DATE: 5/30/2023

MAIN FILE: -
 DEPT: -
 DEALER: -

PRODUCTION APPROVED

REVISED: MJ	DATE: 10/11/21
REVISED: MJ	DATE: 10/6/21
REVISED: MJ	DATE: 09/30/21
DRAWN: MJ	DATE: 07/16/21

PROPRIETARY AND CONFIDENTIAL
 THE INFORMATION CONTAINED IN THIS DRAWING IS THE SOLE PROPERTY OF ROSENBAUER. ANY REPRODUCTION IN PART OR AS A WHOLE WITHOUT THE WRITTEN PERMISSION OF ROSENBAUER IS PROHIBITED.

APPROVED BY:	
CHASSIS:	FORD
PUMP:	NA
TANK:	
PANEL MATL:	LINE X
COMP INTERIOR:	LINE X
MAXIMUM HEIGHT	7'
MAXIMUM LENGTH	NONE
BODY WIDTH	95"

NASHVILLE FIRE DEPARTMENT, TN



ROSENBAUER MINI 3/16"
 DRAWING NUMBER: nashville, tn3
 REV: -